

Nice Shel75Kit

24V

For sectional doors up to 9.6 m² and up-and-over doors up to 11.2 m² with guide in single section of 2850 mm.

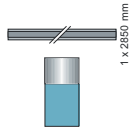
Gear motor characteristics:

- rapid installation-anywhere thanks to the click-fit guide
- **automatic programming** by means of a single key
- **reliable**: auto-diagnostic system that identifies and immediately signals any possible malfunctions
- safe: 24 Vdc, very low voltage motor with electronic limit switch; obstacle detection thanks to controlled movement
- **silent operation**: optimised chain drive
- **practical release rope** in the event of a power failure

- **incorporated control unit with built-in receiver**; a wide range of programmable functions:

- 1 speed
- timed and adjustable automatic closing function
- partial opening function
- setting of pause time and movement speed
- setting of obstacle detection sensitivity with movement inversion
- traction discharge at end of manoeuvre, to guarantee perfect door closure
- automatic recognition of NC-NA-R, 2K safety devices, if installed
- programming of new transmitters (up to 150 programmable keys)

The kit contains:



1 x 2850 mm

SHEL75KIT01

1750N, 24 Vdc gearmotor, with electronic limit switch, built-in control unit and receiver and guide in single section of 2850 mm

FLOOR-S

2 transmitter
433.92 MHz,
4 channel

Code Description

SHEL75KCE	Kit for automating sectional doors and projecting and non-projecting up-and-over doors. Guide in 1x2850 mm piece.	250 EUR
------------------	--	----------------

M.B. The content of the package may vary; consult the retailer

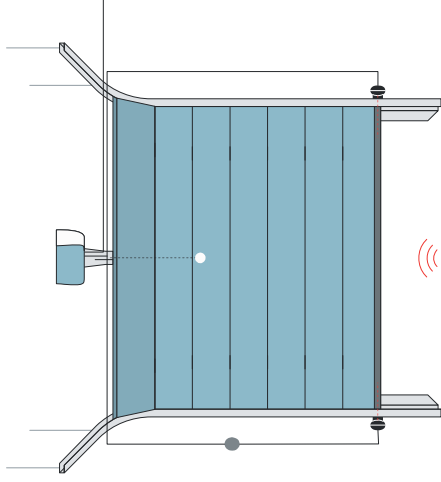
Technical specifications SHEL75KIT01

Electrical specifications	
Power (Vdc)	24
Current absorbed (line) (A)	1.3
Power absorbed (W)	280
Incorporated capacitor (µF)	-
Performance	
Speed (m/s)	0.14
Torque (N)	7.50
Work cycle (cycles/hour)	8
Dimensions	
Working temp. (°C)	-20 ++50
Protection level (IP)	40
Dimensions (mm)	305x109x130
Weight (kg)	4

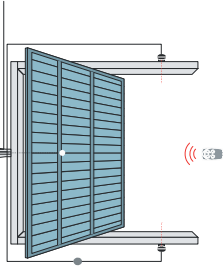
For updated and complete information, consult the product technical manual.

Nice Shel75Kit

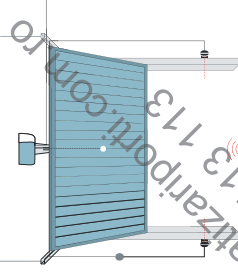
sectional



Projecting up-and-over door



Non-projecting up-and-over door



Accessories



OGAO
spare control unit
Pc/Pack. 1



SPAS
oscillating arm sliding on bearings with optimised structure for projecting up-and-over doors
Pc/Pack. 1



TS
signboard
Pc/Pack. 1



Nice recommends customers order products in pallets in order to facilitate storage and delivery, and ensure packs are uniform. The number of packs per single pallet has been specified for this reason.

www.automatizariporti.com.ro telefon 0757 113 113
Splaiul Unirii 313 , ICPE Cladirea Electrocond

Nice

www.automatizariporti.com.ro

Operating limits (using the maximum travel)

SHELKIT02	non-projecting up-and-over door		projecting up-and-over door		sectional	
	height	width	height	width	height	width
	2,2 m	4 m	2,8 m	4 m	2,4 m	4 m